

CANNING CLUB



STEEL CHALLENGE RULE BOOK

November 11, 2025

Contents

SECTION 1:	4
THE MATCH	4
TARGET HEIGHT	4
LAYOUT OF STAGES	4
Firearm Ready Conditions	5
Revolvers	5
Start Position	5
SECTION 2:	6
FIREARM SPECIFICATIONS PRINCIPLES:	6
RIMFIRE PISTOL	6
CENTERFIRE PISTOL	6
HANDGUNS:	6
GENERAL:	6
AMMUNITION:	7
SECTION 3: EQUIPMENT & MODE OF DRESS	7
SAFETY EQUIPMENT	7
FOOTWEAR	7
MEDICAL EQUIPMENT	7
CLOTHING	7
RANGE OFFICERS	7
SAFETY OFFICERS	7
NEW MEMBERS	7
MEMBERS FROM OTHER CLUBS	8
SECTION 4:	8
STAFFING REQUIREMENTS & DUTIES	8
SECTION 5:	8
SCORING	8
Maximum Time	8
SECTION 6:	9
SAFETY VIOLATIONS	9
BREACHES OF SAFETY	9
SECTION 7:	10
RANGE PROCEDURES	10
SECTION 8:	10
COMPETITORS	10
STUCK LIVE ROUND:	11
MANDATORY RULE	11
SECTION 9:	11
CATEGORIES	11
SECTION 10:	11
COURSE OF FIRE:	11
.....	13
SECTION 11:	21
CHANGES TO THE RULES	21

Document History

Curriculum Owner (Manager)	Work area/team responsible	Date created	Date endorsement
President Canning Club	Safety Officer	V2 12/10/2025	

Modification Table

Date modified (XX/XX/XX)	Modified by (Name)	Authorised by (Club President)	Modification details (Must be concise and include all relevant modification details – e.g. Originator of the change, rationale behind the change and the details of the change including what was removed/replaced)

The Rules and Regulations shown here will allow Steel Challenge match to be run in an orderly, efficient and most importantly SAFE manner.

As a Canning Club Member or Official we all have a responsibility to read and know the Rules to ensure that we are familiar with the Courses of Fire, Equipment and Safety aspects of the Steel Challenge discipline within the Canning Club.

The range is cold! All firearms will be kept UNLOADED except on the firing line under the direct supervision of a Range Officer.

Always abide by the 4 International Firearm Safety Rules

Treat every firearm as if it is loaded.

Keep the Barrel pointed downrange at all times.

Keep your finger off the trigger until on target, on target on trigger, off target off trigger.

At the Canning Club off trigger means that your trigger finger is outside the trigger guard.

Identify your own target.

SECTION 1:

THE MATCH

The match consists of eight (8) alternative courses of fire selected by the Range Officer, which are located in chapter ten of this rule book and Range Officer Course of Fire Booklet.

TARGET HEIGHT

All round targets, except for the Pendulum are 1.5 m high to the top of the target as viewed

from the box and all rectangles are 1.5 m to the top of the target as viewed from the box.

Pendulum has two round targets that are 1.8 m to the top of the target as viewed from the box. All targets should be set to appear level at their designated height from the shooting box.

LAYOUT OF STAGES

All course designs and measurements are approximate with slight (+/- 2") variations possible. All shooting boxes will be 1 m X 1 m except for Outer Limits, which are 1.2 m x 1.2 m.

NOTE: This is an outside dimension for the shooting box for all stages.

All courses of fire will be fired from a single shooting box with the exceptions of Outer Limits and Showdown, which will each have more than one shooting box. Showdown will have two 1 m X 1 m shooting boxes and three strings will be shot from one shooting box and two from the other.

The competitor may elect to shoot three strings from the first shooting box prior to moving and completing the last two strings. Conversely, a competitor may also move between shooting boxes after completing two strings. Failure to move after shooting a

maximum of three strings from a single shooting box will result in a reshoot for each string fired until the competitor moves to the other shooting box.

The Outer Limits will have three 1.2 m x 1.2 m shooting boxes. The competitor will start on their weak side shooting box and will engage the 20- and 35-yard plates on the weak side of the centre line, move to the middle shooting box, while on the clock, and engage the remaining two plates and stop plate. The distance between each of the three boxes will be 1.8 m.

Note: Only two of the three boxes will be used by each competitor. Depending on whether they are right- or left-handed, they will begin in the appropriate outside box and finish in the middle box.

Plates should be angled towards the shooting box to minimise skips and ricochets and provide a uniform target surface and appearance.

Firearm Ready Conditions

The ready condition for firearms will normally be as stated below. However, in the event that a competitor fails to load the chamber whether inadvertently or intentionally, the Range Officer must not take any action, as the competitor is always responsible for the handling of the firearm.

Revolvers:

Single Action – hammer fully down on an empty chamber, or if a safety notch is fitted, hammer down over a loaded chamber.

Double Action – hammer fully down and all chambers may be loaded.

Non-traditional revolvers (e.g. those which operate in a “self-loading” mode) are not allowed.

Rimfire Revolvers – may start with the hammer cocked.

Self-loading firearms:

Single action – chamber loaded, hammer cocked, and the safety engaged.

Double action – chamber loaded, hammer fully down or de-cocked.

Selective action – chamber loaded with hammer fully down, or chamber loaded, and hammer cocked with external safety engaged.

Start Position

The start position is standing within the box. When the competitor is ready, they will assume the required start position to indicate their readiness to the Range Officer. The competitor must remain still and in the appropriate position until the start signal.

In centerfire handgun competition, hands are to be held in the “surrender” position with wrists and hands above the shoulders and fully visible from behind.

In the Rimfire pistol, there will be an aiming point (marker, cone, flag, or sign) centered downrange directly in front of each shooting box 3.5 m away and a maximum of 600 mm high.

For Showdown and Outer Limits an aiming point will be placed in front of each shooting box. The competitor, while waiting for the start signal, must be pointing/aiming their gun at the aiming point with their finger off the trigger and the finger outside of the trigger guard. Each firearm may start with the hammer cocked and, if applicable, with the safety off.

SECTION 2:

FIREARM SPECIFICATIONS PRINCIPLES:

RIMFIRE PISTOL

Open to any pistol firing .22 Long Rifle ammunition. There are two equipment divisions:

Rimfire Pistol Open: This is the Rimfire race division. All legal Rimfire firearms are allowed. Optics and Compensators are specifically allowed.

Rimfire Pistol Iron Sights: Any Iron-sighted Rimfire pistols without optic sights. Fiber-optic sight inserts are specifically allowed.

CENTERFIRE PISTOL

Any pistol firing (9 mm/.38 Special) or larger ammunition

This event has multiple equipment divisions as follows.

Open: This is the race division. All legal firearms are allowed. Optics and Compensators are specifically allowed.

Limited: Any iron-sighted pistol without a compensator, barrel ports, or optical sight. Fiber optic inserts are specifically allowed.

Production: Any double action or safe action. Holsters must follow Competition Rules for the Production Division except as specifically noted.

Single Stack: 1911 models only. Holsters must follow Competition Rules for the Single Stack Division.

Revolver: Any revolver can be used for competition. Fiber optic inserts are specifically allowed. No barrel length or holster restrictions. No restrictions for maximum rounds.

Optic Sight Revolver: A revolver equipped with Electronic / Optical Sights.

Iron Sight Revolver: A revolver equipped with iron sights. Fiber optic inserts are specifically allowed.

Carry Optics: A double action or safe action/striker-fired semi-automatic pistol equipped with an optic sight. Compensators or ports are not allowed.

HANDGUNS:

GENERAL:

Grips Standard left or right-hand grips. No orthopedic type grips that provide support to the hand or wrist that will prevent the handgun from falling freely to the ground when the hand is opened. Minimum calibre allowable for centre fire is 9 mm. Any Rim fire in .22 Long rifle only.

Sights there shall be no restriction on sights or sight radius or the barrel length. There shall be no restrictions on the weight of the trigger pull, provided it functions safely and as originally intended. Trigger shoes or extensions of any kind will not protrude beyond the dimensions of the trigger guard. Handguns used in the match shall be serviceable and safe. Competitors handguns may be inspected at any time throughout the conduct of the competition, to ensure that it complies with the competition rules. One handgun only will be used by a competitor in all stages of a match. If during a match the original handgun becomes unserviceable, the competitor may continue to compete using another handgun, of the same calibre provided the competitor doesn't gain an advantage over their prior handgun.

AMMUNITION: Minimum calibre allowable for centre fire is 9 mm. Any Rim fire in .22 Long rifle only. All ammunition used must be safe. Any ammunition considered to be unsafe by the Range Officer must not be used. No replacement time will be allowed for ammunition failure, or failure of the handgun to feed the ammunition. In the event of ammunition failure or malfunction you may rectify and continue to fire provided you can do so in the allocated time left but you can only fire the designated number of rounds each time the target faces. Jacketed ammunition is **NOT** to be used. Copper washed or Berry's projectiles may be used.

SECTION 3: EQUIPMENT & MODE OF DRESS.

SAFETY EQUIPMENT Ear and eye protection will be worn at all times by competitors when handling a firearm at the line and by persons who are in the vicinity of the firing line whilst shooting is underway.

Eye protection standard glasses will be excepted but impact resistant is recommended.

Hearing protection minimum **C5** grade electronic ear muffs are strongly recommended.

FOOTWEAR - It is required that enclosed shoes or boots, be worn at all times by a competitor whilst engaged in the competition and in the vicinity of the firing line.

MEDICAL EQUIPMENT: A competitor may wear or use medical equipment which may be seen as giving support. If a medical certificate confirming the competitors need to wear or use such a device for health reasons are submitted before a match to the Committee.

CLOTHING – Camouflage, pattern disruptive or high visibility clothing is not permitted. Competitor using such clothing will be asked to leave the range.

RANGE OFFICERS: Shall wear a Yellow Vest on the line for ease of identification

SAFETY OFFICERS: Shall wear an Orange Vest on the line for ease of identification

NEW MEMBERS: Shall wear a Blue Vest on the line for ease of identification

MEMBERS FROM OTHER CLUBS: Shall wear a Green Vest on the line for ease of identification

SECTION 4:

STAFFING REQUIREMENTS & DUTIES

The Range Officer is responsible for the overall conduct of the course of fire, briefing competitors & answering questions about the course of fire. They are responsible for the safe and efficient operation of the match directing the Safety officers and shooters in matters of safety and procedure.

Safety Officers will assist the Range Officer.

It is preferential to have one Safety Officer for each 5 competitors.

It is preferential to have one mentor for assistance for each new member (Blue Vest) on the line.

Scorer will score the results of each string of shots and record them in accordance with Canning Club requirements

SECTION 5:

SCORING.

Steel Challenge scoring is simple: your time is your score; lowest time wins.

Each stage consists of five targets, commonly referred to as plates. Four are standard plates, and the fifth is designated as the stop plate. Each of the standard plates must be hit at least once before hitting the stop plate, to avoid incurring penalties. Competitors may fire as many rounds as they deem necessary for each string of fire. The worst string on each stage will be thrown out, and the total of the remaining times will be the competitor's score for that stage.

The total of a competitor's stage times will be his score for the match. Total time for all stages will determine the order of finish for final standings—lowest time wins. The best four out of five strings will be counted as the total score for each stage, except for Outer Limits, which will be the best three out of four strings.

Maximum Time

The maximum time allowed for an individual string is 30 seconds. Any hits made after the maximum time allowance will not be counted. The competitor will be stopped and asked to prepare for their next string if they reach the 30 second limit.

The maximum score for any string is 30 seconds, no matter how many misses or penalties may have been accrued during the string.

Sound-Actuated Timing: Sound-actuated timing uses conventional shot timers that “hear” each shot. The competitor's elapsed time stops with the last shot fired. Timers will not be backed up for multiple hits on the stop plate or hits after the stop plate. The time stops with the LAST SHOT FIRED.

Misses (Standard Plates)

Any standard plate which has not been hit before the stop plate will count as a Miss. Each Miss on a standard plate will result in a 3 second penalty, added to the competitor's time for that string.

When a Range Officer scores a miss, he must inform the competitor at the end of each string. It is the competitor's responsibility to appeal the decision at the end of that string. The Range Officer will go downrange to inspect the target.

If the bullet has left a clear mark on the edge or face of the plate, it will be scored as a hit. If there is no discernible mark, it will be scored as a miss. (See

SECTION 6:

SAFETY VIOLATIONS

A Safety violation will disqualify the competitor from further participation in the competition. Safety Violations will include but not limited to the following:

- Unauthorised discharge
- Dropping an unloaded handgun
- Leaving the firing line with a loaded handgun
- Casing a handgun that has not been cleared.
- Loading or drawing the handgun before the command "load and make ready"
- Engaging the trigger while at the ready position
- Playing or fiddling with the handgun while cased before the order is given handle the handgun, other than in the safety area
- Accidental discharge while at the ready
- Handling live ammunition in the safety area
- Allowing the handgun to swing from the down range position excessively (more than 15 degrees) while loading, clearing or correcting a malfunction.
- Finger in the trigger guard during reload, unloading or during remedial action.

BREACHES OF SAFETY

This is a breach of safety where the possibility of injury is high. A breach of safety requires automatic disqualification from the match. They are not limited to the following.

- Pointing a loaded handgun up range
- Dropping a loaded handgun
- Picking up a dropped loaded handgun
- Any shot into the ground less than 2 metres down range from the firing line
- Consumption of alcohol or non-prescription drugs before or during competing in a match

SECTION 7:

RANGE PROCEDURES

The Range officer will brief the competitors on the course of fire to be shot.

Range Commands **“SHOOTER IF YOU UNDERSTAND THE COURSE OF FIRE, YOU MAY LOAD AND MAKE READY”**, The competitors facing down range will fit ear and eye protection, draw load and make ready, then adopt the ready position.

Ready position: Either holstered and hands in the surrender position, or pointed down range at 45 degrees at the nominated aiming point.

NOTE: At the “load and make ready” Command the competitor may elect to leave the slide open or battery the firearm and engage the safety. Only after the standby is given may they disengage the safety or cock the firearm.

The Range Officer will call **“ARE YOU READY?”**. If the competitor answers **“NOT READY”** the Range Officer will wait until the competitor calls **“READY”** Before re-issuing the command, **“ARE YOU READY?”**,

The range officer will give the next command. **“STANDBY”** - the competitor must remain at the ready until the cue to commence fire is given. The command will be given as a audible start signal. **“CEASE FIRE”** after the designated time will be given as a verbal command.

“IF YOU ARE FINISHED UNLOAD AND SHOW CLEAR”. While pointing down range the competitor will unload the firearm. Revolver will have the cylinder swung out; semi-auto will have the magazine out and the action open. **“CLEAR, SLIDE FORWARD/CLOSE CYLINDER AND CASE/HOLSTER”** - The competitor will close the cylinder or slide and secure the firearm in its case by latching the lid or zipping the bag closed or holster the firearm. The Range Officer will then give the command to **“PICK UP BRASS”**, Competitors may not return to the bench. The Range Officer will then give the command, **“RANGE CLEAR”** the competitor may now move forward and perform their duties.

SECTION 8:

COMPETITORS

It is the competitor’s responsibility to ensure that their equipment meets the rules and is serviceable. In the event of a malfunction of the firearm and the malfunction can be rectified before the end of the time limit for that detail, the competitor may continue until the time limit expires for that detail. All competitors and their guest will behave in a sportsman like manner. In the event of boisterous or disruptive behaviour the range officer shall caution the offender once and should there be a repetition of such conduct the offender if a competitor they shall be disqualified and asked to leave the firing line. If a guest or spectator they shall be asked to leave the range. It is the competitor’s responsibility to ensure that they understood the course of fire. A junior competitor shall be any member aged between 12 to 17 years; they are to have a one-on-one supervisor on the line at all times in accordance with Section 31 Firearms Act 2024.

STUCK LIVE ROUND:

MANDATORY RULE: In the event of a malfunction which results in a stuck live round which cannot be simply removed from the breech end of the barrel, the firearm is to be made safe and removed from the range for repairs.

SECTION 9: CATEGORIES

LADY Competitors identifying as female.

JUNIOR All competitors 13-17 years old on the first day of the event qualify.

NOTE: AS per section 31 WA Firearms Act 2024 All competitors under the age of 18 must be accompanied by their parent or guardian throughout the competition. And are to supervise their conduct on the line. All Junior competitors must be able to safely handle a loaded firearm. A LSF211 Declaration for Unverified Persons must be signed by both the competitor and their parent or legal guardian

SENIOR All competitors who are 55-64 years of age on the first day of the event qualify

SUPER SENIOR All competitors who are 65-69 years of age on the first day of the event qualify

DISTINGUISHED SENIOR All competitors who are 70 years of age or older on the first day of the event qualify

NOTE: The table above represents the minimum category awards the match director should recognize. The match director has the discretion to add additional category awards such as "Lady High Senior" or "Veteran", etc. provided category recognition minimums are met.

SECTION 10: COURSE OF FIRE:

There shall be **no** restriction on the number of rounds that may be taken to the firing line.

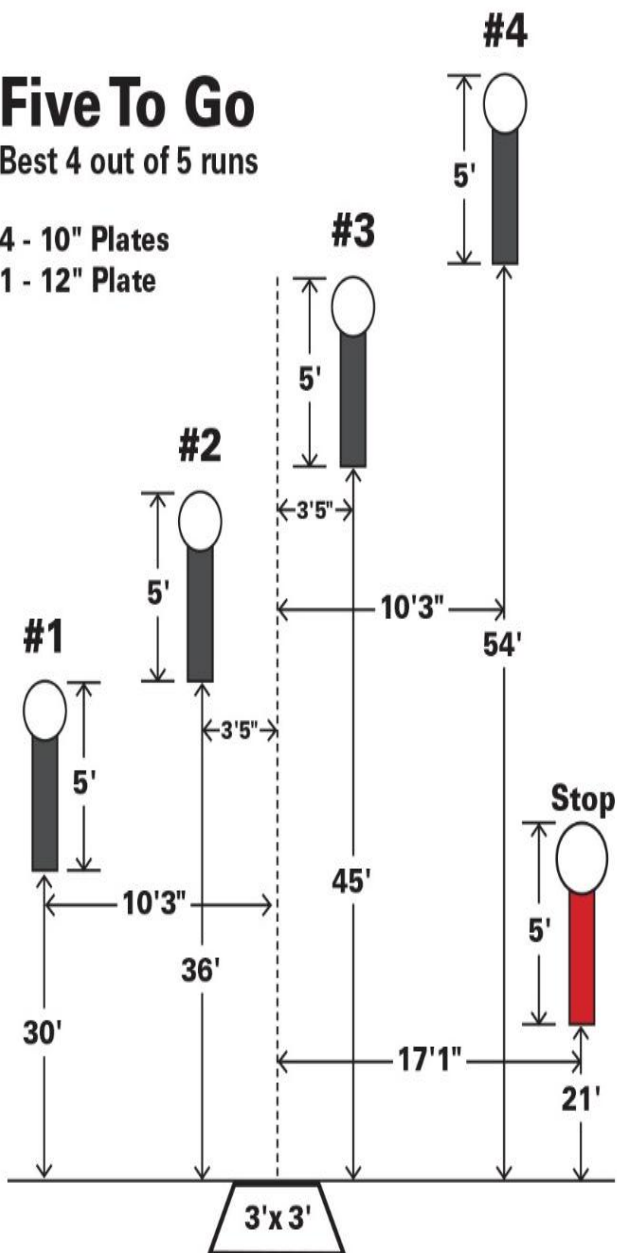
There shall be **no** restriction on the number of rounds that may be loaded for each serial. A competitor may only shoot the number of rounds in each detail as instructed by the Range Officer.

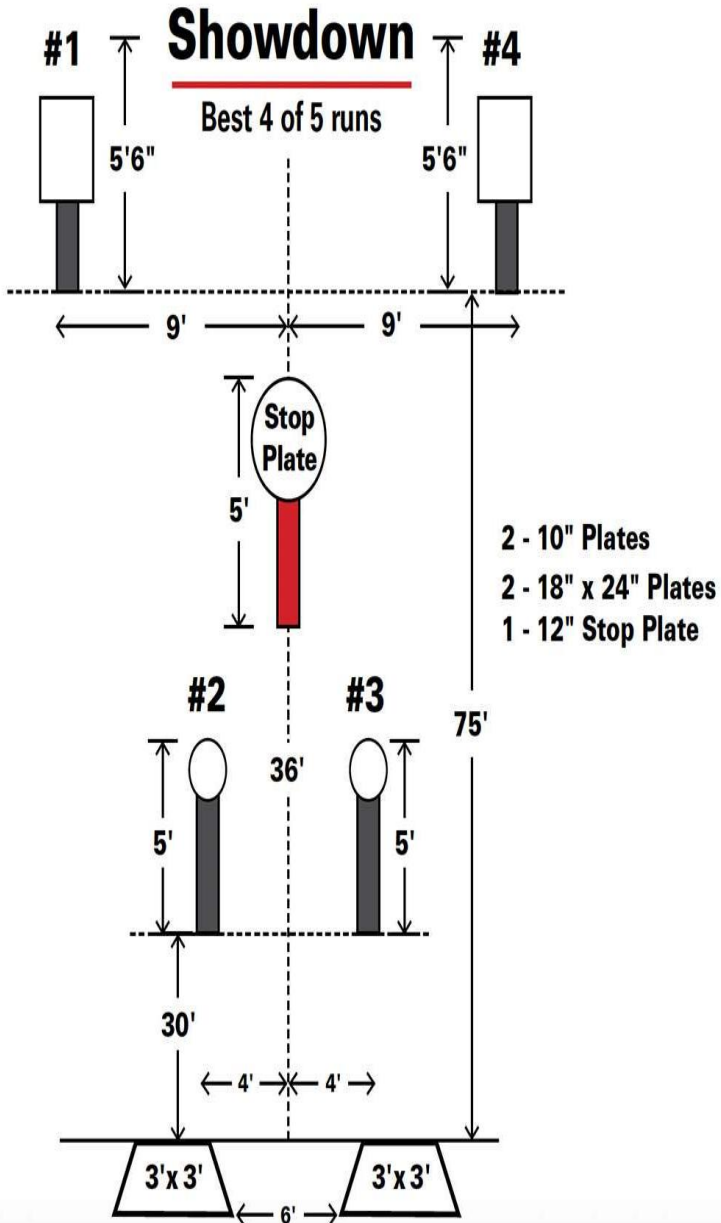
Five To Go

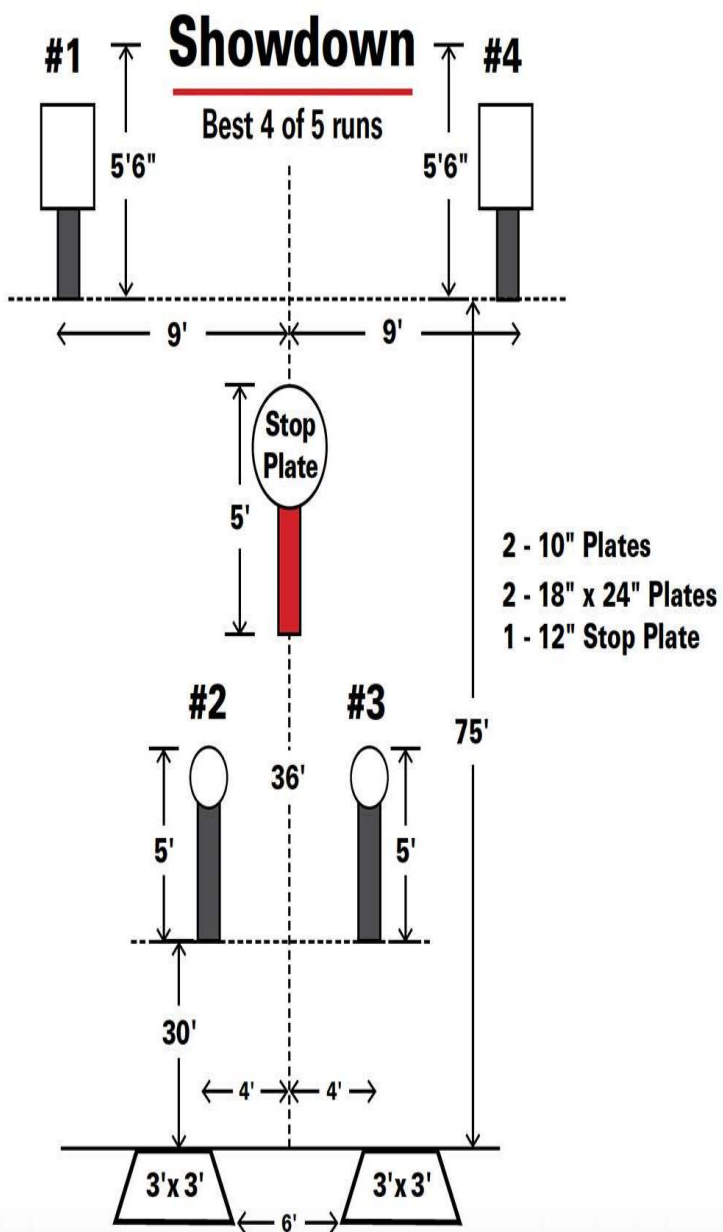
Best 4 out of 5 runs

4 - 10" Plates

1 - 12" Plate

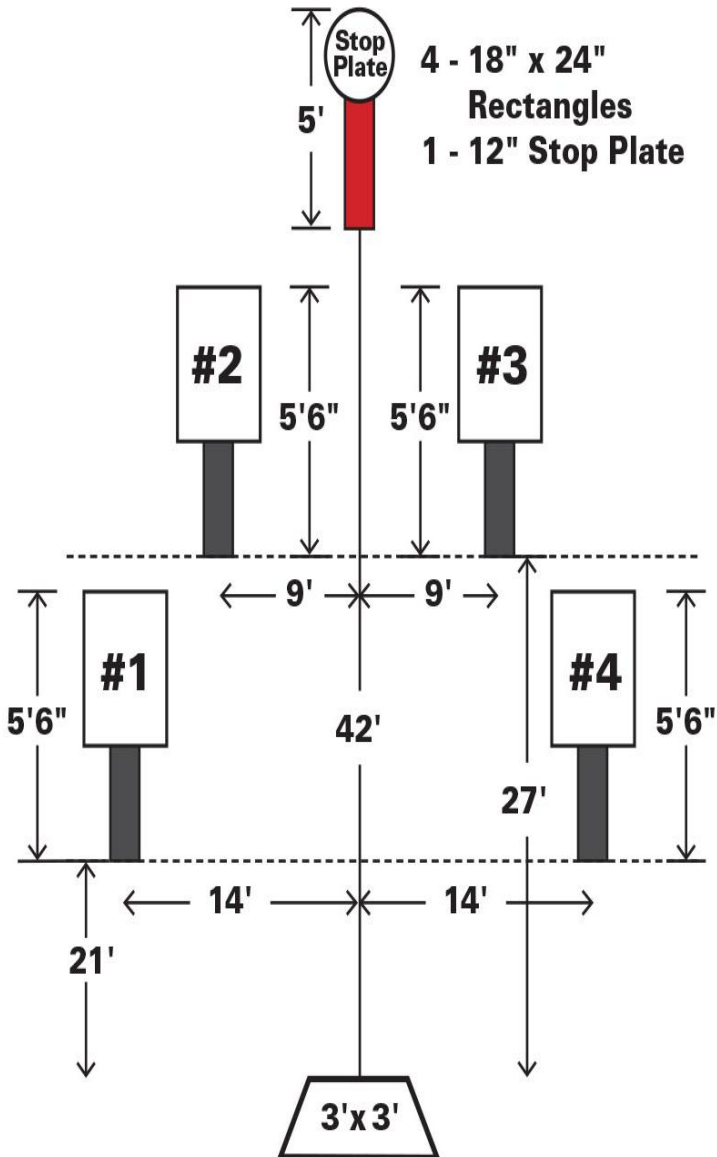


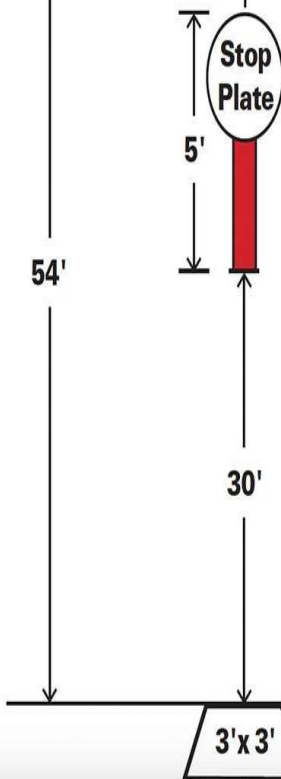
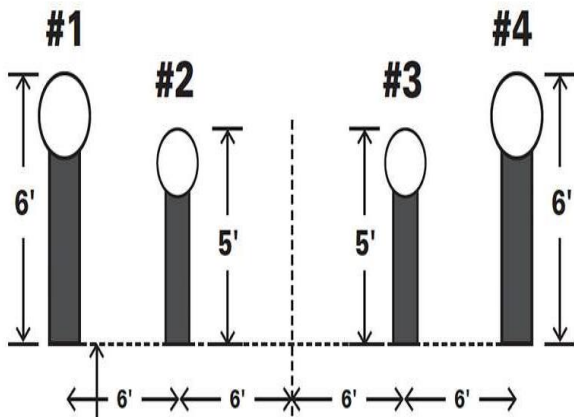




Smoke & Hope

Best 4 of 5 runs





Pendulum

Best 4 of 5 runs

- 2 - 10" Plates
- 2 - 12" Plates
- 1 - 12" Stop Plate

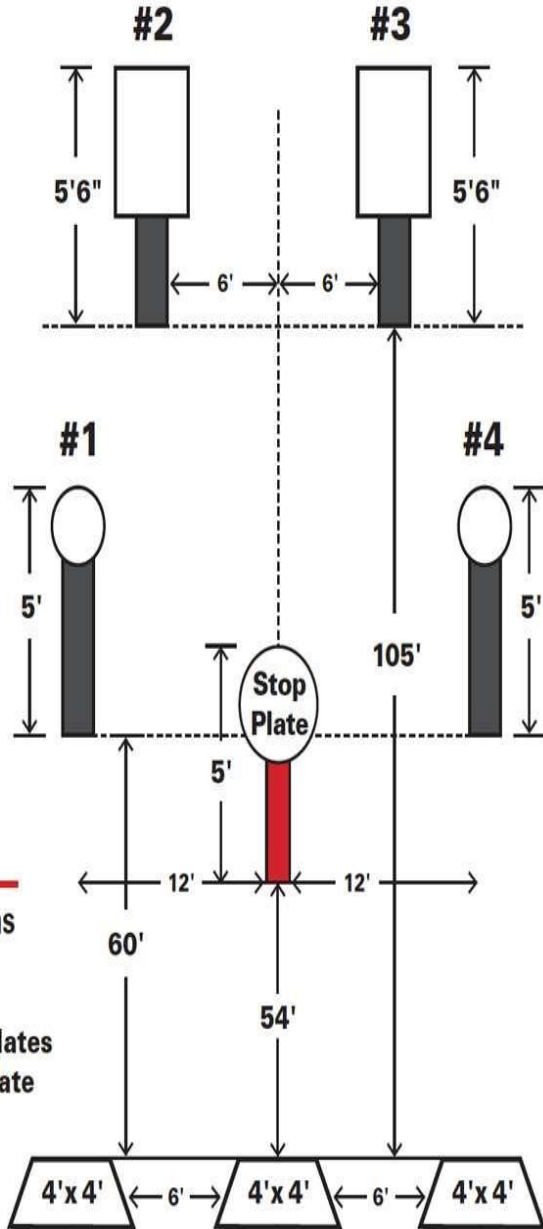
Outer Limits

Best 3 of 4 runs

2 - 12" Plates

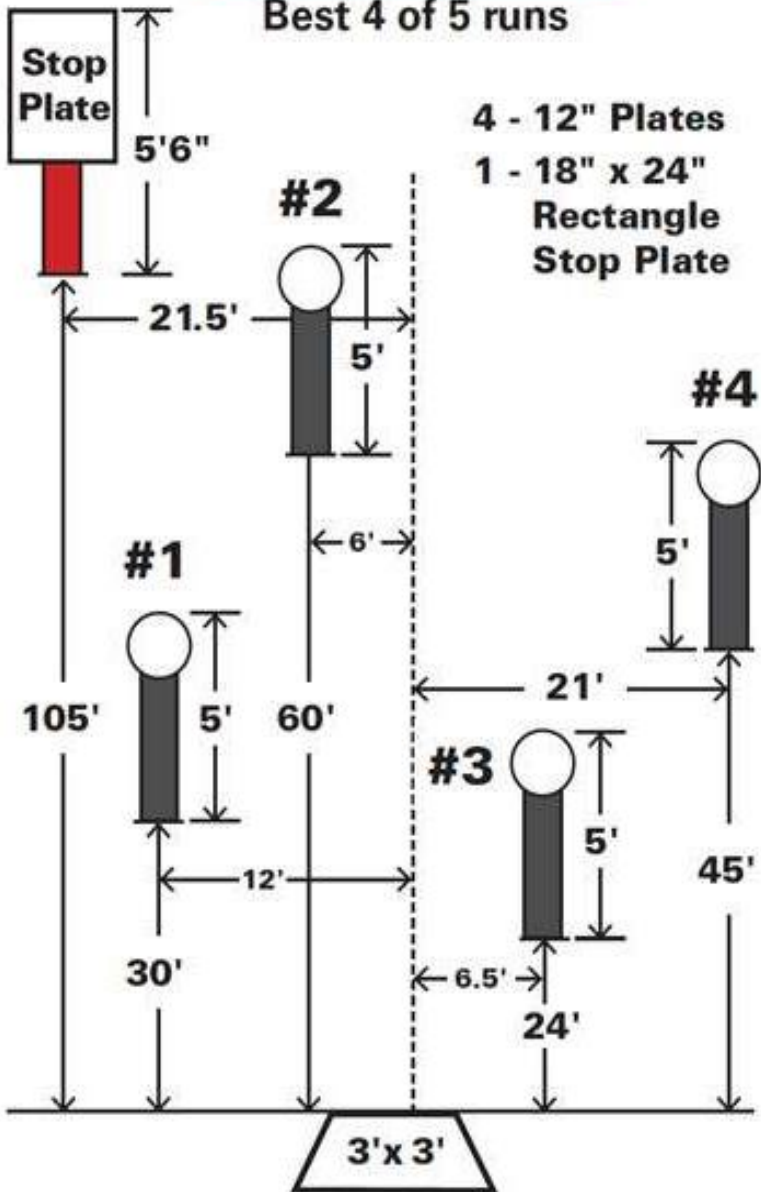
2 - 18" x 24" Plates

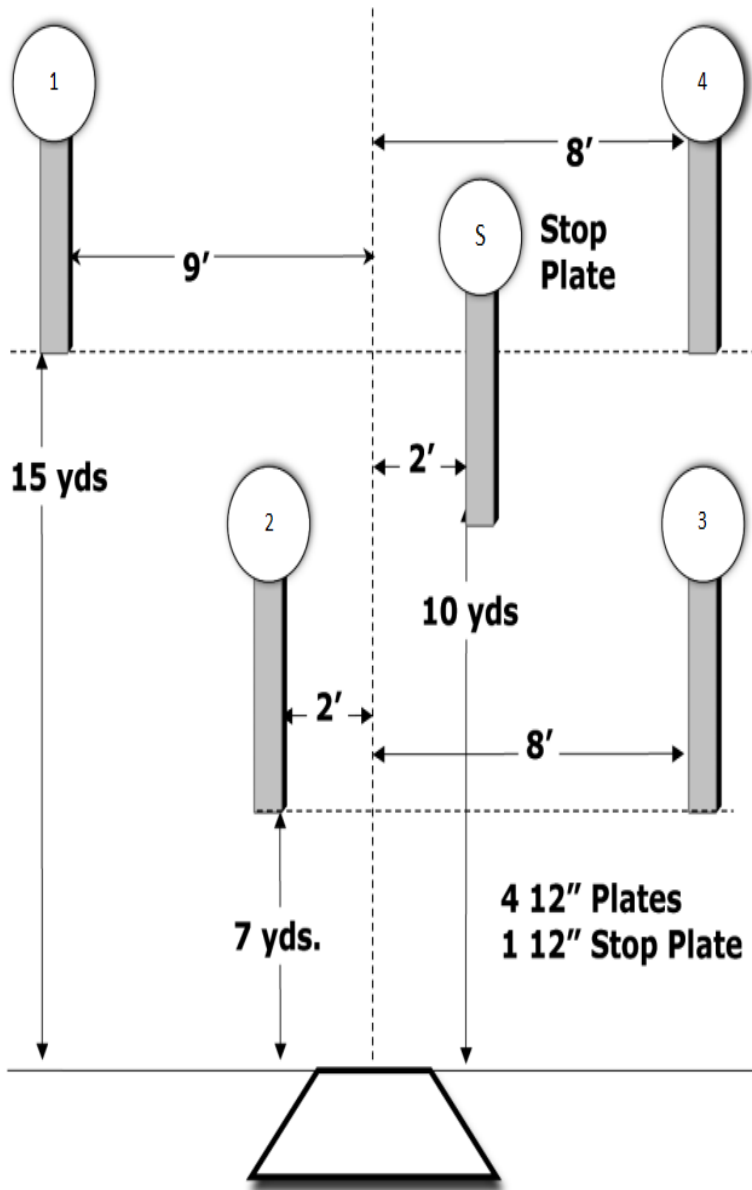
1 - 12" Stop Plate



Speed Option

Best 4 of 5 runs





**4 12" Plates
1 12" Stop Plate**

ROUNDBABOUT (SC-108)

SECTION 11: CHANGES TO THE RULES.

Amendments, alterations, additions and changes to the Rules can only be made by a majority vote of elected committee members and do not take effect until they are published in the Canning Club Inc, newsletter. The cover sheet shall show the date of the amendment, the amended section and the Newsletter publication date. The amendments shall be recorded in the Committee Meeting minutes.